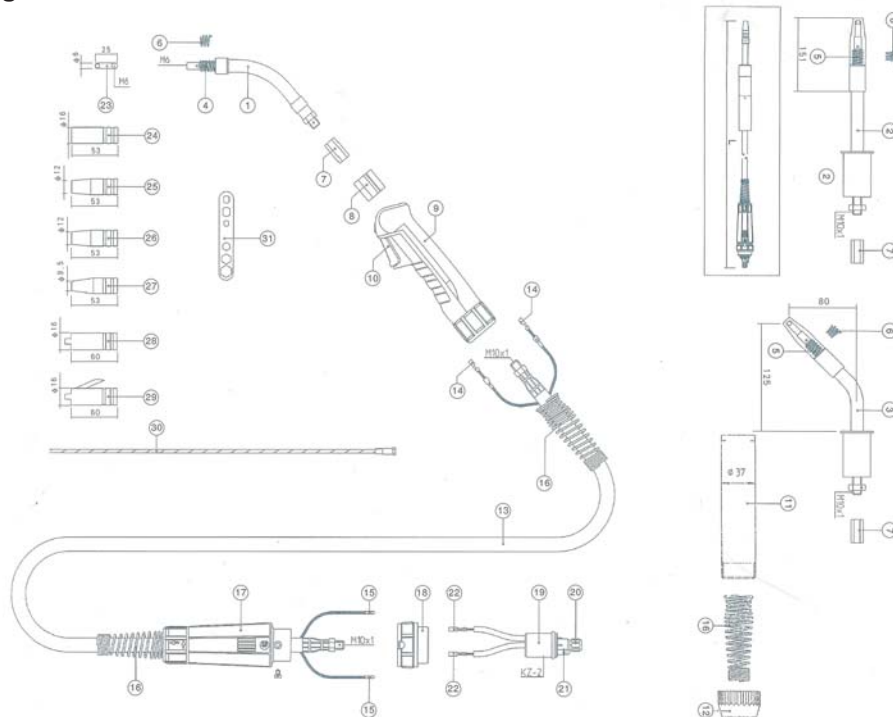
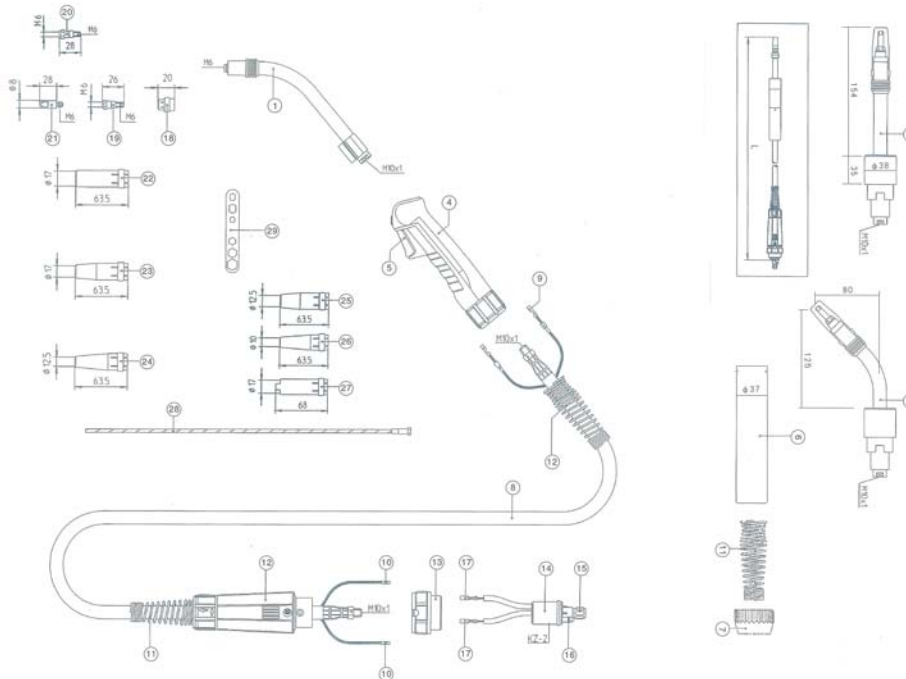


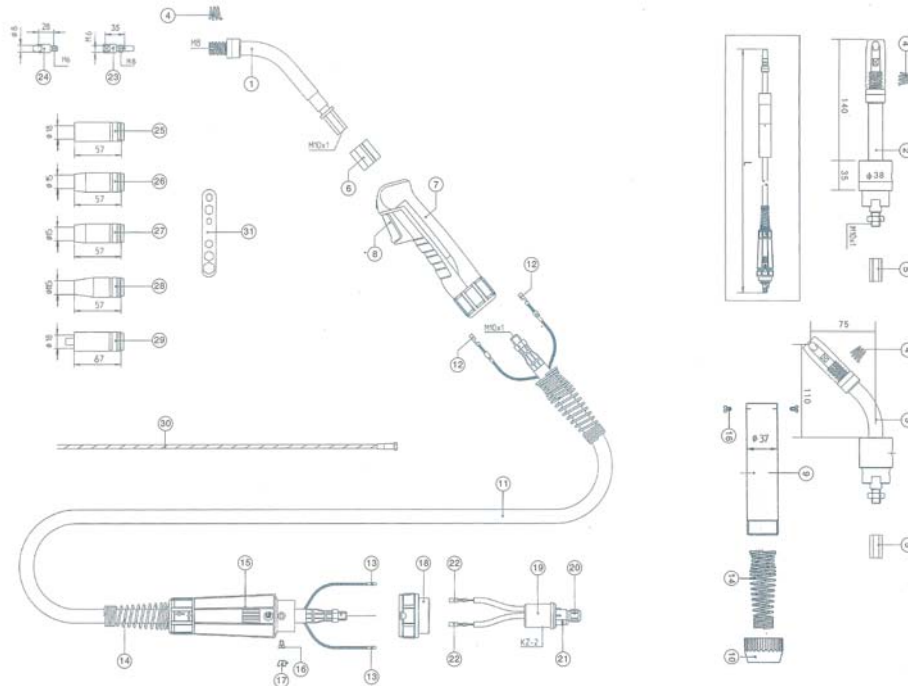
MIG/MAG Welding Torch MB15AK


NO.	DESCRIPTION	PART NO.
Swan Neck		
1	Swan neck MB 15AK;50° bent	002.0009
w/o.fig	Swan neck MB 15AK;flexible	002.0029
2	Swan neck AUT 15AK;straight	902.0003
3	Swan neck AUT 15AK;45° bent	902.0004
4	Gas nozzle holder	002.0078
5	Gas nozzle holder AUT 15AK	902.0007
6	Nozzle spring	002.0058
7	Torch body brass	400.0114
8	Torch body plastic	400.0044
Handle		
9	ERGO handle with trigger cpl	180.0076
9	Handle top	400.0333
9	Handle bottom	400.0335
9	Lock ring ND 31	400.0297
9	Screw 3.5x9.5	079.0034
10	Trigger 2-pole	185.0031
11	Handle tube AUT	180.0097
12	Coupling nut M38x2	400.0137
Cable Assembly		
13	Bikox power cable for 3.00m;B4	160.0065
13	Bikox power cable for 4.00m;B4	160.0078
13	Bikox power cable for 5.00m;B4	160.0091
14	Trigger wire connector	175.0022
15	Plug	175.0004
16	Cable support spring ND19	500.0225
17	Cable support machine side	501.2248
18	Adaptor nut	500.0213
19	Central adaptor KZ-2	501.0003
19	Central adaptor KZ-2 with spring contact	501.2155
19	Central adaptor KZ-2 without control leads	501.0028
20	Coupling nut M10x1	501.0082
21	O-ring 4x1	165.0002

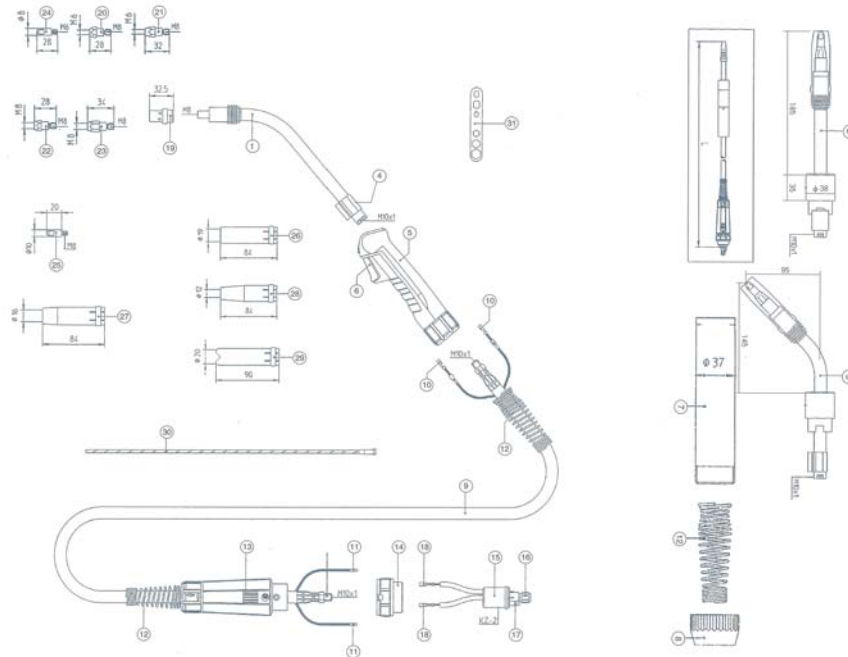
NO.	DESCRIPTION	PART NO.
22	Trigger wire connector; female	175.0003
Wear Parts		
23	Contact tip M6 E-Cu; Φ 0.6(6x25)	140.0008
23	Contact tip M6 E-Cu; Φ 0.8(6x25)	140.0059
23	Contact tip M6 E-Cu; Φ 1.0(6x25)	140.0253
23	Contact tip M6 CuCrZr; Φ 0.6(6x25)	140.0855
23	Contact tip M6 CuCrZr; Φ 0.8(6x25)	140.0062
23	Contact tip M6 CuCrZr; Φ 1.0(6x25)	140.0256
23	Contact tip M6 E-Cu; Φ 0.8 for alu wire(6x25)	141.0002
23	Contact tip M6 E-Cu; Φ 1.0 for alu wire(6x25)	141.0007
24	Gas nozzle;cylindrical;ND Φ 16.0	145.0041
25	Gas nozzle;conical;ND Φ 12.0	145.0075
26	Gas nozzle;conical;with extended insulation;ND Φ 12.0	145.0107
27	Gas nozzle;tapered;ND Φ 9.5	145.0123
28	Spot weld gas nozzle;ND Φ 16.0	145.0168
29	Spot weld gas nozzle for pin-welding;ND Φ 16.0	145.0186
30	Guide spiral liner insulated;1.5/4.5;blue;for wire0.6-0.8;for3.00m	124.0011
30	Guide spiral liner insulated;1.5/4.5;blue;for wire0.6-0.8;for4.00m	124.0012
30	Guide spiral liner insulated;1.5/4.5;blue;for wire0.6-0.8;for5.00m	124.0015
30	Guide spiral liner Insulated;2.0/4.5;red;for wire1.0-1.2;for 3.00m	124.0026
30	Guide spiral liner insulated;2.0/4.5;red;for wire1.0-1.2;for 4.00m	124.0031
30	Guide spiral liner insulated;2.0/4.5;red;for wire1.0-1.2;for 5.00m	124.0035
31	Spanner	191.0001

MIG/MAG Welding Torch MB24KD


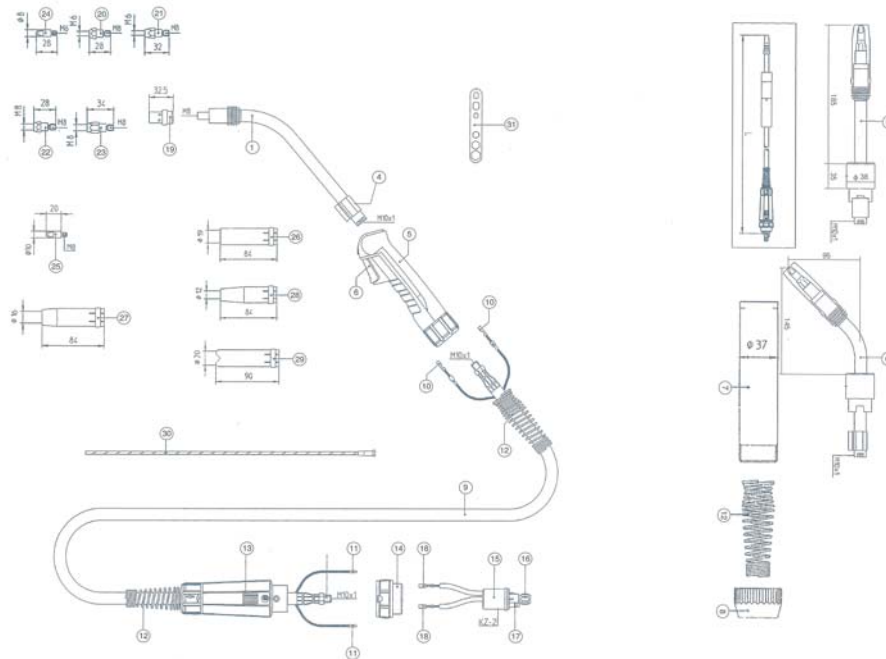
NO.	DESCRIPTION	PART NO.	NO.	DESCRIPTION	PART NO.
Swan Neck			19	Contact tip holder M6;26.0mm	142.0003
1	Swan neck MB24KD;50° bent	012.0001	20	Contact tip holder M6;28.0mm	142.0010
2	Swan neck AUT24KD;straight	912.0001	21	Contact tip M6 E-Cu; Φ0.8(8x28)	140.0051
3	Swan neck AUT24KD;45° bent	912.0002	21	Contact tip M6 E-Cu; Φ1.0(8x28)	140.0242
Handle			21	Contact tip M6 E-Cu; Φ1.2(8x28)	140.0379
4	ERGO handle with trigger cpl	180.0076	21	Contact tip M6 CuCrZr; Φ0.8(8x28)	140.0054
4	Handle top	400.0333	21	Contact tip M6 CuCrZr; Φ1.0(8x28)	140.0245
4	Handle bottom	400.0335	21	Contact tip M6 CuCrZr; Φ1.2(8x28)	140.0382
4	Lock ring ND 31	400.0297	21	Contact tip M6 E-Cu; Φ0.8 for alu wire(8x28)	141.0001
4	Screw 18x8	400.0340	21	Contact tip M6 E-Cu; Φ1.0 for alu wire(8x28)	141.0006
4	Screw 3.5x9.5	079.0034	21	Contact tip M6 E-Cu; Φ1.2 for alu wire(8x28)	141.0010
5	Trigger 2-pole	185.0031	22	Gas nozzle;Cylindrical;ND Φ17.0	145.0047
6	Handle tube AUT	180.0097	23	Gas nozzle;Cylindrical;heavy duty;ND Φ17.0	145.0062
7	Coupling nut M38x2	400.0137	24	Gas nozzle;conical;ND Φ12.5	145.0080
Cable Assembly			25	Gas nozzle;conical;heavy duty;ND Φ12.5	145.0101
8	Bikox power cable for 3.00m;B6	160.0239	26	Gas nozzle;tapered;ND Φ10.0	145.0128
8	Bikox power cable for 4.00m;B6	160.0255	27	Spot weld gas nozzle;ND Φ17.0	145.0174
8	Bikox power cable for 5.00m;B6	160.0267	28	Guide spiral liner insulated;1.5/4.5;blue;for wire0.6-0.8;for3.00m	124.0011
w/o fig.	Outer cover rubber 20mmx1.5	105.0005	28	Guide spiral liner insulated;1.5/4.5;blue;for wire0.6-0.8;for4.00m	124.0012
9	Trigger wire connector	175.0022	28	Guide spiral liner insulated;1.5/4.5;blue;for wire0.6-0.8;for5.00m	124.0015
10	Plug	175.0004	28	Guide spiral liner Insulated;2.0/4.5;red;for wire1.0-1.2;for 3.00m	124.0026
11	Cable support spring ND 19	500.0225	28	Guide spiral liner insulated;2.0/4.5;red;for wire1.0-1.2;for 4.00m	124.0031
12	Cable support machine side	501.2248	28	Guide spiral liner insulated;2.0/4.5;red;for wire1.0-1.2;for 5.00m	124.0035
13	Adaptor nut	500.0213	29	Spanner	191.0001
14	Central adaptor KZ-2	501.0003			
14	Central adaptor KZ-2 with spring contact	501.2155			
14	Central adaptor KZ-2 without control leads	501.0028			
15	Coupling nut M10x1	501.0082			
16	O-ring 4x1	165.0002			
17	Trigger wire connector;female	175.0003			
Wear Parts					
18	Gas diffuser,white	012.0183			
18	Gas diffuser,silicone rubber	012.0243			

MIG/MAG Welding Torch MB25AK


NO.	DESCRIPTION	PART NO.	NO.	DESCRIPTION	PART NO.
Swan Neck			20	Coupling nut M10x1	501.0082
1	Swan neck MB25AK;50° bent	004.0012	21	O-ring 4x1	165.0002
w/o. fig	Swan neck MB25AK;flexible	004.0032	22	Trigger wire connector;female	175.0003
2	Swan neck AUT25AK;straight	904.0003	Wear Parts		
3	Swan neck AUT25AK;45° bent	904.0004	23	Contact tip holder M6;35.0mm	142.0001
Handle			24	Contact tip M6 E-Cu; Φ0.8(8x28)	140.0051
4	Nozzle spring	003.0013	24	Contact tip M6 E-Cu; Φ1.0(8x28)	140.0242
5	Torch body brass	400.0114	24	Contact tip M6 E-Cu; Φ1.2(8x28)	140.0379
6	Torch body plastic	400.0044	24	Contact tip M6 CuCrZr; Φ0.8(8x28)	140.0054
7	ERGO handle with trigger cp1	180.0076	24	Contact tip M6 CuCrZr; Φ1.0(8x28)	140.0245
7	Handle top	400.0333	24	Contact tip M6 CuCrZr; Φ1.2(8X28)	140.0382
7	Handle bottom	400.0335	24	Contact tip M6 E-Cu; Φ0.8 for alu wire(8x28)	141.0001
7	Lock ring ND	400.0297	24	Contact tip M6 E-Cu; Φ1.0 for alu wire(8x28)	141.0006
7	Screw 18x8	400.0340	24	Contact tip M6 E-Cu; Φ1.2 for alu wire(8x28)	141.0010
7	Screw 3.5x9.5	079.0034	25	Gas nozzle;cylindrical;ND Φ18.0	145.0042
8	Trigger 2-pole	185.0031	26	Gas nozzle;conical;ND15.0	145.0076
9	Handle tube AUT	180.0097	27	Gas nozzle;conical;with extended insulation;ND Φ15.0	145.0100
10	Coupling nut M38x2	400.0137	28	Gas Nozzle;tapered;ND Φ11.5	145.0124
Cable Assembly			29	Spot weld gas nozzle;ND Φ18.0	145.0169
11	Bikox power cable for 3.00m;B5	160.0128	30	Guide spiral liner insulated;1.5/4.5;blue;for wire0.6-0.8;for3.00m	124.0011
11	Bikox power cable for 4.00m;B5	160.0142	30	Guide spiral liner insulated;1.5/4.5;blue;for wire0.6-0.8;for4.00m	124.0012
11	Bikox power cable for 5.00m;B5	160.0155	30	Guide spiral liner insulated;1.5/4.5;blue;for wire0.6-0.8;for5.00m	124.0015
w/o. fig	Outer cover rubber 20mmx1.5	105.0005	30	Guide spiral liner Insulated;2.0/4.5;red;for wire1.0-1.2;for 3.00m	124.0026
12	Trigger wire connector	175.0022	30	Guide spiral liner insulated;2.0/4.5;red;for wire1.0-1.2;for 4.00m	124.0031
13	Plug	175.0004	30	Guide spiral liner insulated;2.0/4.5;red;for wire1.0-1.2;for 5.00m	124.0035
14	Cable support spring ND 19	500.0225	31	Spanner	191.0001
15	Cable support machine side	501.0048			
16	Pan head screw M4x6	000.0552			
17	Screw cap 1	500.0251			
18	Adaptor nut	500.0213			
19	Central adaptor KZ-2	501.0003			
19	Central adaptor KZ-2 with spring contact	501.2155			
19	Central adaptor KZ-2 without control leads	501.0028			

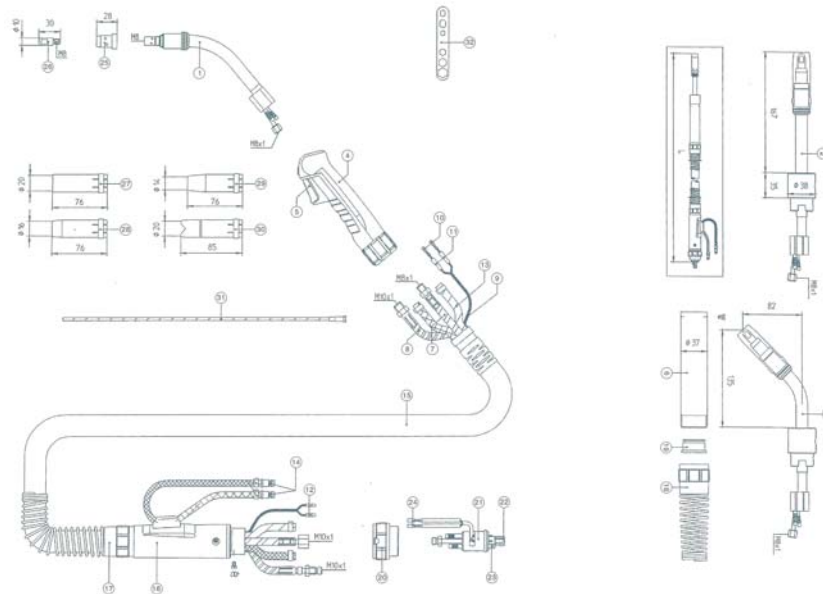
MIG/MAG Welding Torch MB26KD


NO.	DESCRIPTION	PART NO.	NO.	DESCRIPTION	PART NO.
Swan Neck					
1	Swan neck MB 26 KD;50° bent	018.0001	20	Contact tip holder M6;22.0mm(short)	142.0007
2	Swan neck AUT 26/36; straight	914.0002	21	Contact tip holder M6;25.0mm(long)	142.0012
3	Swan neck AUT 26/36;45° bent	914.0001	22	Contact tip holder M8;22.0mm(short)	142.0082
4	Torch body plastic	400.0044	23	Contact tip holder M8;25.0mm(long)	142.0026
Handle					
5	ERGO handle with trigger cpl.	180.0076	24	Contact tip M6 E-Cu; Φ 0.8(8x28)	140.0051
5	Handle top	400.0333	24	Contact tip M6 E-Cu; Φ 1.0(8x28)	140.0242
5	Handle bottom	400.0335	24	Contact tip M6 E-Cu; Φ 1.2(8x28)	140.0379
5	Lock ring ND 31	400.0297	24	Contact tip M6 CuCrZr; Φ 0.8(8x28)	140.0054
5	Screw 18x8	400.0340	24	Contact tip M6 CuCrZr; Φ 1.0(8x28)	140.0245
5	Screw 3.5x9.5	079.0034	24	Contact tip M6 CuCrZr; Φ 1.2(8x28)	140.0382
6	Trigger 2-pole	185.0031	24	Contact tip M6 E-Cu; Φ 0.8 for alu wire(8x28)	141.0001
7	Handle tube AUT	180.0097	24	Contact tip M6 E-Cu; Φ 1.0 for alu wire(8x28)	141.0006
8	Coupling nut M38x2	400.0137	24	Contact tip M6 E-Cu; Φ 1.2 for alu wire(8x28)	141.0010
Cable Assembly					
9	Bikox power cable for 3.00m;B6	160.0239	25	Contact tip M8 E-Cu; Φ 0.8(10x30)	140.0114
9	Bikox power cable for 4.00m;B6	160.0255	25	Contact tip M8 E-Cu; Φ 1.0(10x30)	140.0313
9	Bikox power cable for 5.00m;B6	160.0267	25	Contact tip M8 E-Cu; Φ 1.2(10x30)	140.0442
	Outer cover rubber Φ 20x1.5	105.0005	25	Contact tip M8 CuCrZr; Φ 0.8(10x30)	140.0117
10	Trigger wire connector	175.0022	25	Contact tip M8 CuCrZr; Φ 1.0(10x30)	140.0316
11	Plug	175.0004	25	Contact tip M8 CuCrZr; Φ 1.2(10x30)	140.0445
12	Cable support spring ND 19	500.0225	25	Contact tip M8 E-Cu; Φ 0.8 for alu wire(10x30)	141.0003
13	Cable support machine side	501.2248	25	Contact tip M8 E-Cu; Φ 1.0 for alu wire(10x30)	141.0008
14	Adaptor nut	500.0213	25	Contact tip M8 E-Cu; Φ 1.2 for alu wire(10x30)	141.0015
15	Central adapter KZ-2	501.0003	26	Gas nozzle;cylindrical;ND Φ 20.0	145.0051
15	Central adapter KZ-2 with spring contact	501.2155	27	Gas nozzle;conical;ND Φ 16.0	145.0085
15	Central adapter KZ-2 without control leads	501.0028	28	Gas nozzle;tapered;ND Φ 14.0	145.0132
16	Coupling nut M10x1	501.0082	29	Spot weld gas nozzle;ND Φ 20.0	145.0179
17	O-Ring 4x1	165.0002	30	Guide spiral liner insulated;1.5/4.5;blue;for wire Φ 0.6-0.8;for 3.00 m	124.0011
18	Trigger wire connector;female	175.0003	30	Guide spiral liner insulated;1.5/4.5;blue;for wire Φ 0.6-0.8;for 4.00 m	124.0012
Wear Parts					
19	Gas diffuser, white	018.0116	30	Guide spiral liner insulated;1.5/4.5;blue;for wire Φ 0.6-0.8;for 5.00 m	124.0015
19	Gas diffuser, ceramic	018.0141	30	Guide spiral liner insulated;2.0/4.5;red;for wire Φ 1.0-1.2;for 3.00 m	124.0026
			30	Guide spiral liner insulated;2.0/4.5;red;for wire Φ 1.0-1.2;for 4.00 m	124.0031
			30	Guide spiral liner insulated;2.0/4.5;red;for wire Φ 1.0-1.2;for 5.00 m	124.0035
			31	Spanner	191.0001

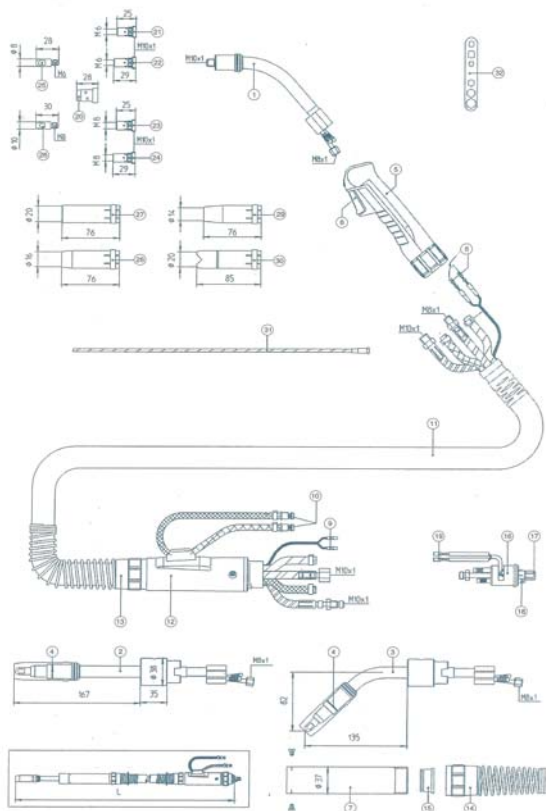
MIG/MAG Welding Torch MB36KD


NO.	DESCRIPTION	PART NO.	NO.	DESCRIPTION	PART NO.
Swan Neck			19	Gas diffuser, ceramic	014.0023
1	Swan neck MB 36KD;50° bent	014.0006	20	Contact tip holder M6;28.0mm(short)	142.0005
2	Swan neck AUT 26/36;straight	914.0002	21	Contact tip holder M6;32.0mm(long)	142.0011
3	Swan neck AUT 26/36;45° bent	914.0001	22	Contact tip holder M8;28.0mm(short)	142.0020
4	Torch body plastic	400.0044	23	Contact tip holder M8;34.0mm(long)	142.0024
Handle			24	Contact tip M6 E-Cu; Φ0.8(8x28)	140.0051
5	ERGO handle with trigger cpl	180.0076	24	Contact tip M6 E-Cu; Φ1.0(8x28)	140.0242
5	Handle top	400.0333	24	Contact tip M6 E-Cu; Φ1.2(8x28)	140.0379
5	Handle bottom	400.0335	24	Contact tip M6 CuCrZr; Φ0.8(8x28)	140.0054
5	Lock ring ND 31	400.0297	24	Contact tip M6 CuCrZr; Φ1.0(8x28)	140.0245
5	Screw 18x8	400.0340	24	Contact tip M6 CuCrZr; Φ1.2(8x28)	140.0382
5	Screw 3.5x9.5	079.0034	24	Contact tip M6 E-Cu; Φ0.8 for alu wire(8x28)	141.0001
6	Trigger 2-pole	185.0031	24	Contact tip M6 E-Cu; Φ1.0 for alu wire(8x28)	141.0006
7	Handle tube AUT	180.0097	24	Contact tip M6 E-Cu; Φ1.2 for alu wire(8x28)	141.0010
8	Coupling nut M38x2	400.0137	25	Contact tip M8 E-Cu; Φ0.8(10x30)	140.0114
Cable Assembly			25	Contact tip M8 E-Cu; Φ1.0(10x30)	140.0313
9	Bikox power cable for 3.00m;B7	160.0364	25	Contact tip M8 E-Cu; Φ1.2(10x30)	140.0442
9	Bikox power cable for 4.00m;B7	160.0379	25	Contact tip M8 CuCrZr; Φ0.8(10x30)	140.0117
9	Bikox power cable for 5.00m;B7	160.0391	25	Contact tip M8 CuCrZr; Φ1.0(10x30)	140.0316
10	Trigger wire connector	175.0022	25	Contact tip M8 CuCrZr; Φ1.2(10x30)	140.0445
11	Plug	175.0004	25	Contact tip M8 E-Cu; Φ0.8 for alu wire(10x30)	141.0003
12	Cable support spring ND21	500.0343	25	Contact tip M8 E-Cu; Φ1.0 for alu wire(10x30)	141.0008
13	Cable support machine side	501.2248	25	Contact tip M8 E-Cu; Φ1.2 for alu wire(10x30)	141.0015
14	Adaptor nut	500.0213	26	Gas nozzle;cylindrical;NDΦ19.0	145.0045
15	Central adapter KZ-2	501.0003	27	Gas nozzle;conical;NDΦ16.0	145.0078
15	Central adapter KZ-2 with spring contact	501.2155	28	Gas nozzle;tapered;NDΦ12.0	145.0126
15	Central adapter KZ-2 without control leads	501.0028	29	Spot weld gas nozzle;NDΦ20.0	145.0172
16	Coupling nut M10x1	501.0082	30	Guide spiral liner insulated;1.5/4.5;blue;for wireΦ0.6-0.8;for 3.00m	124.0011
17	O-Ring 4x1	165.0002	30	Guide spiral liner insulated;1.5/4.5;blue;for wireΦ0.6-0.8;for 4.00m	124.0012
18	Trigger wire connector;female	175.0003	30	Guide spiral liner insulated;1.5/4.5;blue;for wireΦ0.6-0.8;for 5.00m	124.0015
Wear Parts			30	Guide spiral liner insulated;2.0/4.5;red;for wireΦ1.0-1.2;for 3.00m	124.0026
19	Gas diffuser, White	014.0261	30	Guide spiral liner insulated;2.0/4.5;red;for wireΦ1.0-1.2;for 4.00m	124.0031
19	Gas diffuser, long life	014.0026	30	Guide spiral liner insulated;2.0/4.5;red;for wireΦ1.0-1.2;for 5.00m	124.0035
			31	Spanner	191.0001

MIG/MAG Welding Torch MB401

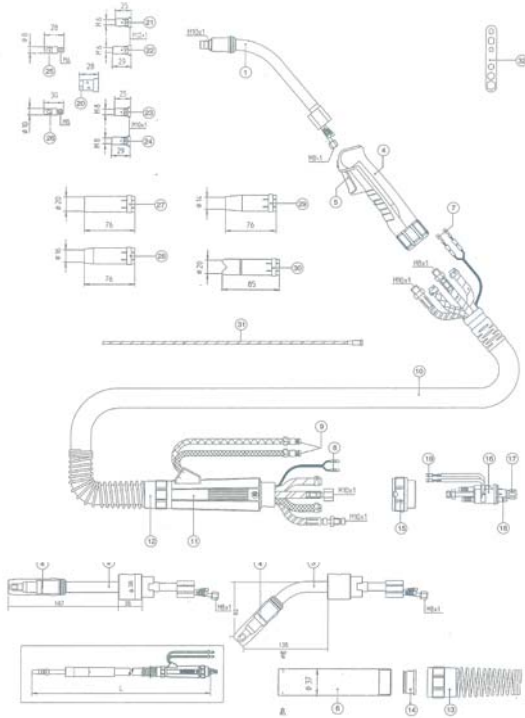


NO.	DESCRIPTION	PART NO.	NO.	DESCRIPTION	PART NO.
Swan Neck			17	Biclip outside	400.0329
1	Swan neck MB 401;50° bent	030.0001	18	Cable support spring	500.0235
2	Swan neck AUT 401/501;straight	932.0001	19	Biclip Set 25/28	400.0332
3	Swan neck AUT 401/501;45° bent	932.0002	20	Adaptor nut	500.0213
Handle			21	Central adapter WZ-2	501.0015
4	ERGO handle with trigger cpl	180.0076	21	Central adapter WZ-2 with spring pin	501.2156
4	Handle top	400.0333	21	Central adapter WZ-2 without control leads	501.0034
4	Handle bottom	400.0335	22	Coupling nut M10x1	501.0082
4	Lock ring ND 31	400.0297	23	O-Ring 4x1	165.0002
4	Screw 18x8	400.0340	24	Trigger wire connector;female	175.0003
4	Screw 3.5x9.5	079.0034	Wear Parts		
5	Trigger 2-pole	185.0031	25	Gas diffuser,white	030.0145
6	Handle tube AUT	180.0097	25	Gas diffuser, long life	030.0037
Cable Assembly			25	Gas diffuser, ceramic	030.0190
7	Power cable g/w-cooled for 3.00 m	115.0065	w/o.fig.	Nozzle insulator	146.0013
7	Power cable g/w-cooled for 4.00 m	115.0070	26	Contact tip M8 E-Cu; Φ0.8(10x30)	140.0114
7	Power cable g/w-cooled for 5.00 m	115.0074	26	Contact tip M8 E-Cu; Φ1.0(10x30)	140.0313
8	Wire conduit cpl.red (up to wire Φ1.6)for 3.00 m	156.0019	26	Contact tip M8 E-Cu; Φ1.2(10x30)	140.0442
8	Wire conduit cpl.red (up to wire Φ1.6)for 4.00 m	156.0023	26	Contact tip M8 CuCrZr; Φ0.8(10x30)	140.0117
8	Wire conduit cpl.red (up to wire Φ1.6)for 5.00 m	156.0026	26	Contact tip M8 CuCrZr; Φ1.0(10x30)	140.0316
9	Control cable 2-pole	100.0019	26	Contact tip M8 CuCrZr; Φ1.2(10x30)	140.0445
10	Trigger wire connector	175.0022	26	Contact tip M8 E-Cu; Φ0.8 for alu wire(10x30)	141.0003
11	Insulating sleeve	400.0119	26	Contact tip M8 E-Cu; Φ1.0 for alu wire(10x30)	141.0008
12	Plug	175.0004	26	Contact tip M8 E-Cu; Φ1.2 for alu wire(10x30)	141.0015
13	Hose 30 black Φ4.9x1.5	109.0040	27	Gas nozzle;cylindrical;ND Φ20.0	145.0051
w/o.fig.	Hose 46 red Φ5.5x1.5	109.0056	28	Gas nozzle;conical;ND Φ16.0	145.0085
14	Plug nipple	501.0114	29	Gas nozzle;tapered;ND Φ14.0	145.0132
15	Outer cover with cable support Φ25x1.5 for 3.00 m	107.0079	30	Spot weld gas nozzle;ND Φ20.0	145.0179
15	Outer cover with cable support Φ25x1.5 for 4.00 m	107.0044	w/o.fig.	Gas nozzle;heavy duty;ND Φ16.0(only use with nozzle insulator)	145.0086
15	Outer cover with cable support Φ25x1.5 for 5.00 m	107.0080	31	Guide spiral liner blank;1.5/4.0;for wire Φ0.8;for 3.00 m	122.0005
w/o.fig.	Outer cover Φ25x1.5	107.0004	31	Guide spiral liner blank;1.5/4.0;for wire Φ0.8;for 4.00 m	122.0007
16	Cable support machine side cpl.incl.hose passage	500.0342	31	Guide spiral liner blank;1.5/4.0;for wire Φ0.8;for 5.00 m	122.0009
16	Cable support machine side	501.2379	31	Guide spiral liner blank;2.0/4.5;for wire Φ1.0-1.2;for 3.00 m	122.0031
16	Hose guide	500.0334	31	Guide spiral liner blank;2.0/4.5;for wire Φ1.0-1.2;for 4.00 m	122.0036
17	Connecting set machine side for ND 29	501.2236	31	Guide spiral liner blank;2.0/4.5;for wire Φ1.0-1.2;for 5.00 m	122.0039
17	Cable support spring	500.0233	32	Spanner	191.0001
17	Biclip inside	400.0328			

MIG/MAG Welding Torch MB401D


NO.	DESCRIPTION	PART NO.
Swan Neck		
1	Swan neck MB 401D;50° bent	033.0001
2	Swan neck AUT 401D/501D; straight	934.0001
3	Swan neck AUT 401D/501D; 45° bent	934.0002
4	Insulator	030.0019
Handle		
5	ERGO handle with trigger ctl.	180.0076
5	Handle top	400.0333
5	Handle bottom	400.0335
5	Lock ring ND 31	400.0297
5	Screw 18x8	400.0340
5	Trigger 3.5x9.5	079.0034
6	Trigger 2-pole 2	185.0031
7	Handle tube AUT	180.0097
Cable Assembly		
8	Trigger wire connector	175.0022
9	Plug	175.0004
10	Plug nipple	501.0114
11	Outer cover with cable support Φ 25x1.5 for 3.00 m	107.0079
11	Outer cover with cable support Φ 25x1.5 for 4.00 m	107.0044
11	Outer cover with cable support Φ 25x1.5 for 5.00 m	107.0080
12	Cable support machine side cpl. Incl. Hose passage	500.0342
12	Cable support machine side	501.2379
12	Hose guide	500.0334
13	Connecting set machine side for ND 29	501.2236
13	Cable support spring	500.0233

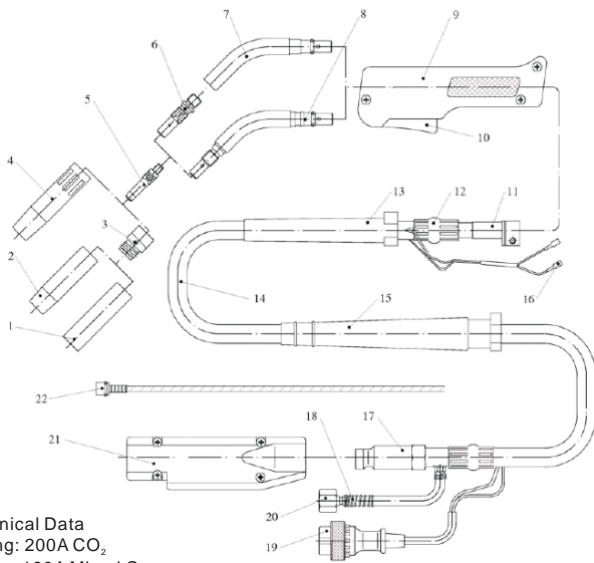
NO.	DESCRIPTION	PART NO.
13	Biclip inside	400.0328
13	Biclip outside	400.0329
14	Cable support spring	500.0235
15	Biclip Set 25/28	400.0332
16	Central adaptor WZ-2	501.0015
16	Central adaptor WZ-2 with spring pin	501.2156
16	Central adaptor WZ-2 without control leads	501.0034
17	Coupling nut M10x1	501.0082
18	O-Ring 4x1	165.0002
19	Trigger wire connector; female	175.0003
Wear Parts		
20	Gas diffuser, white	030.0145
20	Gas diffuser, long life	030.0037
20	Gas diffuser, ceramic	030.0190
w/o.fig.	Nozzle insulator	146.0013
21	Contact tip holder M6; 25.0 mm (short)	142.0008
22	Contact tip holder M6; 29.0 mm (long)	142.0013
23	Contact tip holder M8; 25.0 mm (short)	142.0022
24	Contact tip holder M8; 29.0 mm (long)	142.0027
25	Contact tip M6 E-Cu; Φ 0.8 (8x28)	140.0051
25	Contact tip M6 E-Cu; Φ 1.0 (8x28)	140.0242
25	Contact tip M6 E-Cu; Φ 1.2 (8x28)	140.0379
25	Contact tip M6 CuCrZr; Φ 0.8 (8x28)	140.0054
25	Contact tip M6 CuCrZr; Φ 1.0 (8x28)	140.0245
25	Contact tip M6 CuCrZr; Φ 1.2 (8x28)	140.0382
25	Contact tip M6 E-Cu; Φ 0.8 for alu wire (8x28)	141.0001
25	Contact tip M6 E-Cu; Φ 1.0 for alu wire (8x28)	141.0006
25	Contact tip M6 E-Cu; Φ 1.2 for alu wire (8x28)	141.0010
26	Contact tip M8 E-Cu; Φ 0.8 (10x30)	140.0114
26	Contact tip M8 E-Cu; Φ 1.0 (10x30)	140.0313
26	Contact tip M8 E-Cu; Φ 1.2 (10x30)	140.0442
26	Contact tip M8 CuCrZr; Φ 0.8 (10x30)	140.0117
26	Contact tip M8 CuCrZr; Φ 1.0 (10x30)	140.0316
26	Contact tip M8 CuCrZr; Φ 1.2 (10x30)	140.0445
26	Contact tip M8 E-Cu; Φ 0.8 for alu wire (10x30)	141.0003
26	Contact tip M8 E-Cu; Φ 1.0 for alu wire (10x30)	141.0008
26	Contact tip M8 E-Cu; Φ 1.2 for alu wire (10x30)	141.0015
27	Gas nozzle; cylindrical; ND Φ 20.0	145.0051
28	Gas nozzle; conical; ND Φ 16.0	145.0085
29	Gas nozzle; tapered; ND Φ 14.0	145.0132
30	Spot weld gas nozzle; ND Φ 20.0	145.0179
w/o.fig.	Gas nozzle; heavy duty; ND Φ 16.0 (only use with nozzle insulator)	145.0086
31	Guide spiral liner blank; 1.5/4.0; for wire Φ 0.8; for 3.00m	122.0005
31	Guide spiral liner blank; 1.5/4.0; for wire Φ 0.8; for 4.00m	122.0007
31	Guide spiral liner blank; 1.5/4.0; for wire Φ 0.8; for 5.00m	122.0009
31	Guide spiral liner blank; 2.0/4.5; for wire Φ 1.0 - 1.2; for 3.00m	122.0031
31	Guide spiral liner blank; 2.0/4.5; for wire Φ 1.0 - 1.2; for 4.00m	122.0036
31	Guide spiral liner blank; 2.0/4.5; for wire Φ 1.0 - 1.2; for 5.00m	122.0039
31	Guide spiral liner blank; 2.5/4.5; for wire Φ 1.6; for 3.00m	122.0056
31	Guide spiral liner blank; 2.5/4.5; for wire Φ 1.6; for 4.00m	122.0060
31	Guide spiral liner blank; 2.5/4.5; for wire Φ 1.6; for 5.00m	122.0063
31	Guide spiral liner blank; 3.5/4.9; for wire Φ 2.0 - 2.4; for 3.00m	122.0073
31	Guide spiral liner blank; 3.5/4.9; for wire Φ 2.0 - 2.4; for 4.00m	122.0075
31	Guide spiral liner blank; 3.5/4.9; for wire Φ 2.0 - 2.4; for 5.00m	122.0076
32	Spanner	191.0001

MIG/MAG Welding Torch MB501D


NO.	DESCRIPTION	PART NO.
Swan Neck		
1	Swan neck MB 501D; 50° bent	034.0001
2	Swan neck AUT 401D/501D; straight	934.0001
3	Swan neck AUT 401D/501D; 45° bent	934.0002
Handle		
4	ERGO handle with trigger cpl.	180.0076
4	Handle top	400.0333
4	Handle bottom	400.0335
4	Lock ring ND 31	400.0297
4	Screw 18x8	400.0340
4	Trigger 3.5x9.5	079.0034
5	Trigger 2-pole	185.0031
6	Handle tube AUT	180.0097
7	Tigger wire connector	175.0022
8	Plug	175.0004
w/o. fig.	Hose 46 red Φ 5.5x1.5	109.0056
9	Plug nipple	501.0114
10	Outer cover with cable support Φ 25x1.5 for 3.00 m	107.0079
10	Outer cover with cable support Φ 25x1.5 for 4.00 m	107.0044
10	Outer cover with cable support Φ 25x1.5 for 5.00 m	107.0080
w/o. fig.	Out cover Φ 25x1.5	107.0004
11	Cable support machine side cpl. Incl. Hose passage	500.0342
11	Cable support machine side	501.2379
11	Hose guide	500.0334
12	Connecting set machine side for ND 29	501.2236
12	Cable support spring	500.0233
12	Biclip inside	400.0328
13	Cable support spring	500.0235
14	Biclip Set 25/28	400.0332
15	Adaptor nut	500.0213
16	Central adaptor WZ-2	501.0015
16	Central adaptor WZ-2 with spring pin	501.2156
16	Central adaptor WZ-2 without control leads	501.0034

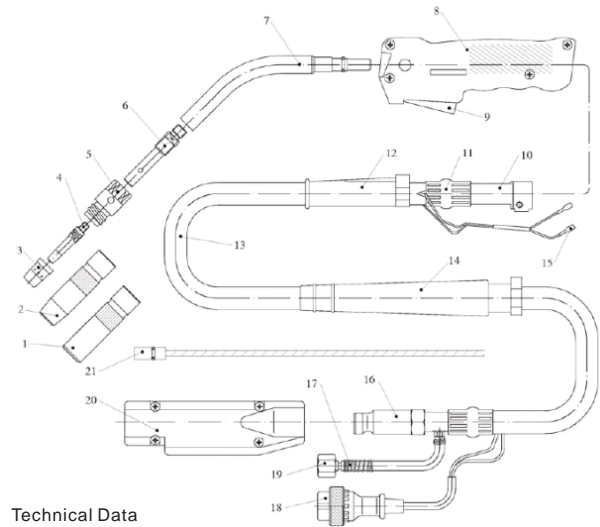
NO.	DESCRIPTION	PART NO.
17	Coupling nut M10x1	501.0082
18	O-Ring 4x1	165.0002
19	Trigger wire connector; female	175.0003
Wear Parts		
20	Gas diffuser, white	030.0145
20	Gas diffuser, long life	030.0037
20	Gas diffuser, ceramic	030.0190
w/o. fig.	Nozzle insulator	146.0013
21	Contact tip holder M6; 25.0 mm (short)	142.0008
22	Contact tip holder M6; 29.0 mm (long)	142.0013
23	Contact tip holder M8; 25.0 mm (short)	142.0022
24	Contact tip holder M8; 29.0mm (long)	142.0027
25	Contact tip M6 E-Cu; Φ 0.8 (8x28)	140.0051
25	Contact tip M6 E-Cu; Φ 1.0 (8x28)	140.0242
25	Contact tip M6 E-Cu; Φ 1.2 (8x28)	140.0379
25	Contact tip M6 E-Cu; Φ 1.6 (8x28)	140.0555
25	Contact tip M6 CuCrZr; Φ 0.8 (8x28)	140.0054
25	Contact tip M6 CuCrZr; Φ 1.0 (8x28)	140.0245
25	Contact tip M6 CuCrZr; Φ 1.2 (8x28)	140.0382
25	Contact tip M6 CuCrZr; Φ 1.6 (8x28)	140.0558
25	Contact tip M6 E-Cu; Φ 0.8 for alu wire (8x28)	141.0001
25	Contact tip M6 E-Cu; Φ 1.0 for alu wire (8x28)	141.0006
25	Contact tip M6 E-Cu; Φ 1.2 for alu wire (8x28)	141.0010
25	Contact tip M6 E-Cu; Φ 1.6 for alu wire (8x28)	141.0020
26	Contact tip M8 E-Cu; Φ 0.8 (10x30)	140.0114
26	Contact tip M8 E-Cu; Φ 1.0 (10x30)	140.0313
26	Contact tip M8 E-Cu; Φ 1.2 (10x30)	140.0442
26	Contact tip M8 E-Cu; Φ 1.6 (10x30)	140.0587
26	Contact tip M8 E-Cu; Φ 2.0 (10x30)	140.0653
26	Contact tip M8 E-Cu; Φ 2.4 (10x30)	140.0677
26	Contact tip M8 CuCrZr; Φ 0.8 (10x30)	140.0117
26	Contact tip M8 CuCrZr; Φ 1.0 (10x30)	140.0316
26	Contact tip M8 CuCrZr; Φ 1.2 (10x30)	140.0445
26	Contact tip M8 CuCrZr; Φ 1.6 (10x30)	140.0590
26	Contact tip M8 CuCrZr; Φ 2.0 (10x30)	140.0656
26	Contact tip M8 CuCrZr; Φ 2.4 (10x30)	140.0679
26	Contact tip M8 E-Cu; Φ 0.8 for alu wire (10x30)	141.0003
26	Contact tip M8 E-Cu; Φ 1.0 for alu wire (10x30)	141.0008
26	Contact tip M8 E-Cu; Φ 1.2 for alu wire (10x30)	141.0015
26	Contact tip M8 E-Cu; Φ 1.6 for alu wire (10x30)	141.0022
27	Gas nozzle; cylindrical; ND Φ 20.0	145.0051
28	Gas nozzle; conical; ND Φ 16.0	145.0085
29	Gas nozzle; tapered; ND Φ 14.0	145.0132
30	Spot weld gas nozzle; ND Φ 20.0	145.0179
w/o. fig.	Gas nozzle; heavy duty; ND Φ 16.0 (only use with nozzle insulator)	145.0086
31	Guide spiral liner blank; 1.5/4.0; for wire Φ 0.8; for 3.00m	122.0005
31	Guide spiral liner blank; 1.5/4.0; for wire Φ 0.8; for 4.00m	122.0007
31	Guide spiral liner blank; 1.5/4.0; for wire Φ 0.8; for 5.00m	122.0009
31	Guide spiral liner blank; 2.0/4.5; for wire Φ 1.0 - 1.2; for 3.00m	122.0031
31	Guide spiral liner blank; 2.0/4.5; for wire Φ 1.0 - 1.2; for 4.00m	122.0036
31	Guide spiral liner blank; 2.0/4.5; for wire Φ 1.0 - 1.2; for 5.00m	122.0039
31	Guide spiral liner blank; 2.5/4.5; for wire Φ 1.6; for 3.00m	122.0056
31	Guide spiral liner blank; 2.5/4.5; for wire Φ 1.6; for 4.00m	122.0060
31	Guide spiral liner blank; 2.5/4.5; for wire Φ 1.6; for 5.00m	122.0063
31	Guide spiral liner blank; 3.5/4.9; for wire Φ 2.0 - 2.4; for 3.00m	122.0073
31	Guide spiral liner blank; 3.5/4.9; for wire Φ 2.0 - 2.4; for 4.00m	122.0075
31	Guide spiral liner blank; 3.5/4.9; for wire Φ 2.0 - 2.4; for 5.00m	122.0076
32	spanner	191.0001

**Air Cooled MIG/MAG/CO2 Welding Torch
Panasonic 200A**



Technical Data
Rating: 200A CO₂
160A Mixed Gases
Duty Cycle: 60%
Wire Size: 0.8~1.2mm

**Air Cooled MIG/MAG/CO2 Welding Torch
Panasonic 350A**

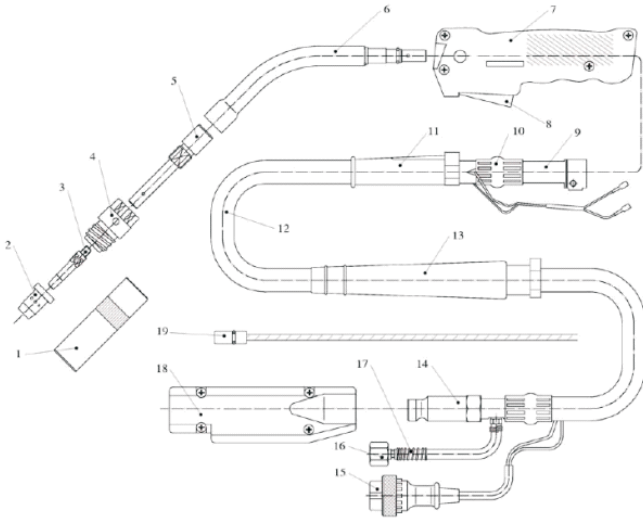


Technical Data
Rating: 350A CO₂
300A Mixed Gases
Duty Cycle: 60%
Wire Size: 0.9~1.2mm

NO.	DESCRIPTION	PART NO.
	Panasonic 200A Complete Torch-3m	YT-20CS3
	Panasonic 200A Complete Torch-4m	
	Panasonic 200A Complete Torch-5m	
1	Cylindrical Nozzle Φ 15mm	
2	Conical Nozzle Φ 13mm	
3	Insulator	
4	Self-insulator Nozzle Φ 13mm	TGN01208
5	M6x45x0.8 Contact Tip, E-Cu	TET00841
	M6x45x0.9 Contact Tip, E-Cu	TET00958
	M6x45x1.0 Contact Tip, E-Cu	TET01054
	M6x45x1.2 Contact Tip, E-Cu	TET01266
	M6x45x0.8 Contact Tip, CuCrZr	
	M6x45x0.9 Contact Tip, CuCrZr	
	M6x45x1.0 Contact Tip, CuCrZr	
	M6x45x1.2 Contact Tip, CuCrZr	
6	Contact Tip Holder	
7	Swan Neck Separable	
8	Swan Neck	TCU20111
9	Handle	
10	Switch	
11	Swan Neck Holder	
12	Clamp	
13	Front Cable Support	
14	Cable Assembly(20 ²), 3m/4m/5m	
15	Back Cable Support	
16	Switch Connector Collet	
17	Cable Connector Rear	
18	Gas Inlet Adaptor Assemble	
19	Control Lead Plug	
20	Nut 9/16-18" UNF	
21	Cable Support Machine Side	
22	Steel Liner, For Wire Φ 0.8-1.0, 3.5m	
	Steel Liner, For Wire Φ 0.8-1.0, 4.5m	
	Steel Liner, For Wire Φ 0.8-1.0, 5.5m	

NO.	DESCRIPTION	PART NO.
	Panasonic 350A Complete Torch-3m	YT-35CS3
	Panasonic 350A Complete Torch-4m	YT-35CSM3
	Panasonic 350A Complete Torch-5m	YT-35CSL3
1	Cylindrical Nozzle Φ 15mm	TGN01610
2	Conical Nozzle Φ 11.5mm	
3	Gas Diffuser	TGR01001
4	M6x45x0.9 Contact Tip, E-Cu	TET00958
	M6x45x1.0 Contact Tip, E-Cu	TET01054
	M6x45x1.2 Contact Tip, E-Cu	TET01266
	M6x45x0.9 Contact Tip, CuCrZr	
	M6x45x1.0 Contact Tip, CuCrZr	
	M6x45x1.2 Contact Tip, CuCrZr	
5	Insulator	TFZ35101
6	Contact Tip Holder, E-Cu Contact Tip Holder, Brass	
7	Swan Neck	
8	Handle	
9	Switch	
10	Swan Neck Holder	
11	Clamp	
12	Front Cable Support	
13	Cable Assembly(37 ²), 3m/4m/5m	
14	Back Cable Support	
15	Switch Connector Collet	
16	Cable Connector Rear	
17	Gas Inlet Adaptor Assemble	
18	Control Lead Plug	
19	Nut 9/16-18" UNF	
20	Cable Support Machine Side	
21	Steel Liner, For Wire Φ 1.0-1.2, 3.5m	
	Steel Liner, For Wire Φ 1.0-1.2, 4.5m	TDT00058
	Steel Liner, For Wire Φ 1.0-1.2, 5.5m	

**Air Cooled MIG/MAG/CO2 Welding Torch
Panasonic 500A**



Technical Data
 Rating: 500A CO2
 350A Mixed Gases
 Duty Cycle: 60%
 Wire Size: 1.2~1.6mm

NO.	DESCRIPTION	PART NO.
	Panasonic 500A Complete Torch-3m	YT-50CS3
	Panasonic 500A Complete Torch-4m	YT-50CSM3
	Panasonic 500A Complete Torch-5m	YT-50CSL3
1	Cylindrical Nozzle Φ 19mm	TGN00014
2	Gas Diffuser	TGR000902
3	M6x45x1.2 Contact Tip, E-Cu	TET01266
	M6x45x1.4 Contact Tip, E-Cu	TET01433
	M6x45x1.6 Contact Tip, E-Cu	TET01676
	M6x45x1.2 Contact Tip, CuCrZr	
	M6x45x1.4 Contact Tip, CuCrZr	
	M6x45x1.6 Contact Tip, CuCrZr	
4	Insulator	TFZ50107
5	Contact Tip Holder, E-Cu	
	Contact Tip Holder, Brass	
6	Swan Neck	
7	Handle	
8	Switch	
9	Swan Neck Holder	
10	Clamp	
11	Front Cable Support	
12	Cable Assembly(56 ²), 3m/4m/5m	
13	Back Cable Support	
14	Cable Connector Rear	
15	Control Lead Plug	
16	Nut 9/16-18" UNF	
17	Gas Inlet Adaptor Assemble	
18	Cable Support Machine Side	
19	Steel Liner, For Wire Φ 1.2-1.6, 3.5m	TDT00054
	Steel Liner, For Wire Φ 1.2-1.6, 4.5m	
	Steel Liner, For Wire Φ 1.2-1.6, 5.5m	

MIG/MAG Welding Liner



OTC Liner Description

Blue 1.6/4.0 Welding Wire:0.6-0.9
 Red 2.0/4.5 Welding Wire:1.0-1.2
 Yellow 2.4/5 Welding Wire:1.6



Bernard Liner Description

Blue 1.2/4.0 Welding Wire:0.6-0.9
 Red 2.0/4.5 Welding Wire:1.0-1.2
 Yellow 2.4/5 Welding Wire:1.6



Esab Liner Description

Blue 1.6/4.0 Welding Wire:0.6-1.0
 Red 2.0/4.6 Welding Wire:1.2-1.6
 Yellow 2.8/4.8 Welding Wire:1.4-2.0



Tweco Liner Description

Blue 1.6/4.0 Welding Wire:0.6-1.0
 Red 2.0/4.6 Welding Wire:1.2-1.6
 Yellow 2.8/4.8 Welding Wire:1.4-2.0

Gun Plug Bodies

Binzel



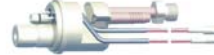
501.0003 Gun Plug Body c/w Spring Pins

Binzel



B7001 Standard Connection Block

Binzel



501.0015 Gun Plug Body c/w Spring Pins

Binzel



B7001 Plastic Flange

OTC



Gun Plug Body c/w Spring Pins

Panasonic



Machine Mounting

Central Connectors

Panasonic



TBi



Daiden



OTC



Binzel



Miller



Binzel 501D



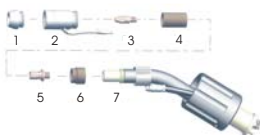
Daihen



Bernard Products

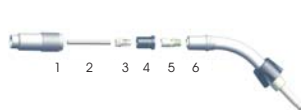
P/N	Description	P/N	Description
4295	<p>Nozzle 3/8" (Brass tapered nozzle used with 4335 gas diffuser)</p>	4492	<p>Nozzle 9/16" (Brass tapered nozzle used with 4435 & 4635 gas diffuser)</p>
4391	<p>Nozzle 5/8" (Brass nozzle used with 4235 & 4335 gas diffuser)</p>	4591	<p>Nozzle 3/4" (Copper nozzle used with 4435 & 4635 gas diffuser)</p>
4392	<p>Nozzle 1/2" (Brass tapered nozzle used with 4235 & 4335 gas diffuser)</p>	4592	<p>Nozzle 9/16" (Tapered copper nozzle used with 4435 & 4635 gas diffuser)</p>
4393	<p>Nozzle 5/8" (Copper nozzle used with 4235 & 4335 gas diffuser)</p>	36-63	<p>Nozzle 5/8" 1-8" ACME (Used with 36 insulator)</p>
4394	<p>Nozzle 1/2" (Copper tapered nozzle used with 4235 & 4335 gas diffuser)</p>	36	<p>Insulator 1-8" ACME (Used with 4635 gas diffuser)</p>
4491	<p>Nozzle 3/4" (Brass nozzle used with 4435 & 4635 gas diffuser)</p>	4235	<p>Gas Diffuser 1/4 NPT (Uses 1500 series tips)</p>
4335	<p>Gas Diffuser 1/4 NPT (Uses 4200 & 7400 series tips)</p>	4435	<p>Gas Diffuser 1/4 NPT (Uses 7400 series tips)</p>
4635	<p>Gas Diffuser 1/4 NPT (Uses 1500 series tips)</p>	7392	<p>Gas Diffuser 1/8 NPT (Uses 1500 series tips)</p>
4786	<p>1/4 NPT 11/16-32 UN (Swan Neck 45° Bent)</p>	4790 4794	<p>1/4 NPT 11/16-32 UN (Swan Neck 45° Bent)</p>

Close Products



No.	Description
1	Nozzle
2	Nozzle Body
3	Contact Tip
4	Cylindrical Insulator
5	Contact Tip Holder
6	Nozzle Insulator
7	Goose Neck

SAF Products



No.	Description
1	Nozzle
2	Contact Tip
3	Contact Tip Retainer
4	Gas Diffuser
5	Tip Retainer Holder
6	Swan Neck

Cobramatic, M.K. Products

P/N	Description	P/N	Description
001-0138	<p>Gas Cup #8 1/2-13 UNC 51.5</p>	001-0139	<p>Gas Cup #10 1/2-13 UNC 51.5</p>

Fronius Products

P/N	Description	P/N	Description
42.0001.5096	<p>Nozzle 1/2" (Used with AL3000, AW4000, and 42.0001.2970 nozzle retainers)</p>	42.0001.2970	<p>Nozzle Retainer M24x1.5 23 (Used with AL4000 and AW3000)</p>
42.0001.5128	<p>Nozzle 1/2" (Used with AL4000, AW3000, and 42.0001.2970 nozzle retainers)</p>	42.0001.5084	<p>Gas Diffuser M8 M12x1 28 (Used with AL3000 and AW4000)</p>
42.0001.2930	<p>Nozzle Retainer M23x1 22 (Used with AL3000 and AW4000)</p>	42.0001.5122	<p>Gas Diffuser M16x1 M10 M12x1 32 (Used with AL4000 and AW5000)</p>

Miller Products

P/N	Description	P/N	Description
047957	<p>Nozzle 5/8" 1 3/32"-18 Thd. 69.5 (For GA-40C Gas)</p>	050622	<p>Nozzle 5/8" 1-14 Thd. 41.5 (For XR/Spoohmatic 1570A)</p>
047959	<p>Nozzle 1/2" 1 3/32"-18 Thd. 69.5 (For GA-40C Gas)</p>	050116	<p>Nozzle 13/16" 7/8-20 UNEF 41.5 (For XR/Spoohmatic 1570A)</p>
049098	<p>Nozzle 7/16" 7/8-20 UNEF 52.8 (For GA-20C 200 Amp Gas)</p>	149146	<p>Nozzle 5/8" 7/8-20 UNEF 57.6 (For GA-21CM Gas)</p>
049099	<p>Nozzle 1/2" 7/8-20 UNEF 52.8 (For GA-20C 200 Amp Gas)</p>	149147	<p>Nozzle 7/16" 7/8-20 UNEF 57.6 (For GA-21CM Gas)</p>
049929	<p>Nozzle 5/8" 7/8-20 UNEF 52.8 (For GA-20C 200 Amp Gas)</p>	149148	<p>Nozzle 1/2" 7/8-20 UNEF 57.6 (For GA-21CM Gas)</p>
050115	<p>Nozzle 1/2" 1-14 Thd. 41.5 (For XR/Spoohmatic 1570A)</p>	169715	<p>Nozzle 1/2" 7/8-20 UNEF 45 (For M10 & M15 Gas)</p>
169724	<p>Nozzle 1/2" 7/8-20 UNEF 57.5 (For M25 & M40 Gas)</p>	146425	<p>Gas Diffuser 1/4-28 UNF 7/16-14 30.2 (Used with GA 21C & CM & GA20C)</p>

Miller Products

P/N	Description	P/N	Description
169725	<p>Nozzle 5/8" (For M23 & M40 Gas)</p>	169716	<p>Tip Adapter (Used with M11 Gas)</p>
169726	<p>Nozzle 5/8" (For M23 & M40 Gas)</p>	169728	<p>Tip Adapter (Used with M23 & M40 Gas)</p>
169727	<p>Nozzle 5/8" (For M23 & M40 Gas)</p>	169729	<p>Tip Adapter (Used with M23 & M40 Gas)</p>
198855	<p>Nozzle 5/8" (For XR-PV Gas, used with 206195 Gas Diffuser)</p>	206195	<p>Tip Adapter (For XR-PV Gas, used with 198855 nozzle)</p>

OTC Products

P/N	Description	P/N	Description
U5020C00	<p>Nozzle #11 (Use on WTC(M)(L)X-300)</p>	U4167L00	<p>Tip Adapter (Use on WTC(M)(L)X-300, WTC(M)(L)X-400)</p>
U4186L00	<p>Nozzle #11 (Use on WTC(M)(L)X-300)</p>	U4173L00	<p>Tip Adapter (Use on WTC(M)(L)X-300)</p>
U4167G01	<p>Nozzle #11 (Use on WTC(M)(L)X-300, WTC(M)(L)X-400)</p>	U4170G03	<p>Tip Body (Use on WTC(M)(L)X-300, WTC(M)(L)X-400)</p>
U4173G01	<p>Nozzle #11 (Use on WTC(M)(L)X-300)</p>	U4173G03	<p>Tip Body (Use on WTC(M)(L)X-500)</p>
U4170B00	<p>Swan Neck Separable Use on WTC(M)(L)X-300, 350 & WTCMX-430</p>	U4173B00	<p>Swan Neck Separable Use on WTC(M)(L)X-500</p>
U4186B00	<p>Swan Neck Use on WTC(M)(L)X-200</p>	OT350SN	<p>Swan Neck Use on WTC(M)(L)X-300, 350 & WTCMX-430</p>
OT500SN	<p>Swan Neck Use on WTC(M)(L)X-500</p>	FLX350	<p>Flexible Barrel Flexible Barrel, Use On 350 Amp MAG Gun</p>

Tregaskiss Products

P/N	Description	P/N	Description
401-4-50	<p>Nozzle 1/2" (Used with T30, T40 & T50)</p>	401-6-50	<p>Nozzle 1/2" (Used with T40 & T50)</p>
401-4-62	<p>Nozzle 5/8" (Used with T30, T40 & T50)</p>	401-6-62	<p>Nozzle 5/8" (Used with T40 & T50)</p>
401-4-75	<p>Nozzle 3/4" (Used with T30, T40 & T50)</p>	401-6-75	<p>Nozzle 3/4" (Used with T40 & T50)</p>
401-5-50	<p>Nozzle 1/2" (Used with T40 & T50)</p>	401-45-62	<p>Nozzle 5/8" (Used with T40 & T50)</p>
401-5-62	<p>Nozzle 5/8" (Used with T40 & T50)</p>	401-81-62	<p>Nozzle 5/8" (Used with T40 & T50)</p>
401-5-75	<p>Nozzle 3/4" (Used with T40 & T50)</p>	402-3	<p>Nozzle Retainer (Used with T30, T40 & T50)</p>
404	<p>Gas Diffuser (Standard gas diffuser, used with T30, T40 & T50)</p>	404-3	<p>Retaining Head (Heavy duty retaining head, used with T40 & T50)</p>
404-1	<p>Gas Diffuser (Heavy duty gas diffuser, used with T30, T40 & T50)</p>	405-45	<p>Gooseneck 45° Bent</p>
405-60	<p>Gooseneck 60° Bent</p>	405-180	<p>Gooseneck 180° Bent</p>

Tweco Products

P/N	Description	P/N	Description
21-37	Nozzle 3/8" (Mini Mig & 1 On)	22-50	Nozzle 1/2" (Use on #2 gas, adjustable used with 32 insulator and 52 gas diffuser)
21-50	Nozzle 1/2" (Mini Mig & 1 On)	22-62	Nozzle 5/8" (Use on #2 gas, adjustable used with 32 insulator and 52 gas diffuser)
21-62	Nozzle 5/8" (Mini Mig & 1 On)	22T37SS	Nozzle 3/8" (Use on #2 gas, short stop, used with 32 insulator and 52 gas diffuser)
21-37F	Nozzle 3/8" (Mini Mig & 1 On)	23-37	Nozzle 3/8" (Self insulated nozzle, use on #3 & 4 gas)
21-50F	Nozzle 1/2" (Mini Mig & 1 On)	23-50	Nozzle 1/2" (Self insulated nozzle, use on #3 & 4 gas)
21T37	Nozzle 3/8" (Mini Mig & 1 On)	23-62	Nozzle 5/8" (Self insulated nozzle, use on #3 & 4 gas)
23-75	Nozzle 3/4" (Self insulated nozzle, use on #3 & 4 gas)	24A62	Nozzle 5/8" (Use on #3 & 4 gas - adjustable, used with 34A nozzle insulator)
23-37F	Nozzle 3/8" (Self insulated nozzle, use on #3 & 4 gas)	24A75	Nozzle 3/4" (Use on #3 & 4 gas - adjustable, used with 34A nozzle insulator)
23-50F	Nozzle 1/2" (Self insulated nozzle, use on #3 & 4 gas)	24A50SS	Nozzle 1/2" (Use on #3 & 4 gas - short stop, adjustable, used with 34A nozzle insulator)
23-62F	Nozzle 5/8" (Self insulated nozzle, use on #3 & 4 gas)	24A75SS	Nozzle 3/4" (Use on #3 & 4 gas - short stop, adjustable, used with 34A nozzle insulator)
23-75F	Nozzle 3/4" (Self insulated nozzle, use on #3 & 4 gas)	24CT37S	Nozzle 3/8" (Use on #3 & 4 gas - coarse thread - fixed nozzle - used with 34CT nozzle insulator)
24A50	Nozzle 1/2" (Use on #3 & 4 gas - adjustable, used with 34A nozzle insulator)	24CT50S	Nozzle 1/2" (Use on #3 & 4 gas - coarse thread - fixed nozzle - used with 34CT nozzle insulator)

Tweco Products

P/N	Description	P/N	Description
24CT62S	Nozzle 5/8" (Use on #3 & 4 gas - coarse thread - fixed nozzle - used with 34CT nozzle insulator)	34A	Insulator (Use on #4 gas - used with adjustable nozzle)
24CT75S	Nozzle 3/4" (Use on #3 & 4 gas - coarse thread - fixed nozzle - used with 34CT nozzle insulator)	34CT	Insulator (Use on #3 & 4 gas - used with coarse thread nozzle)
25CT50	Nozzle 1/2" (Use on #3 gas - coarse thread - fixed nozzle - used with 34CT nozzle insulator)	34FN	Insulator (Use on #2.3 & 4 gas - used with coarse thread nozzle)
25CT62	Nozzle 5/8" (Use on #3 gas - coarse thread - fixed nozzle - used with 34CT nozzle insulator)	35CT	Insulator (Use on #5 gas - used with coarse thread nozzle)
25CT75	Nozzle 3/4" (Use on #3 gas - coarse thread - fixed nozzle - used with 34CT nozzle insulator)	35-50	Gas Diffuser (Use on #1 gas)
32	Insulator (Use on #2 gas - used with adjustable nozzle)	51	Gas Diffuser (Use on #1 gas)
52	Gas Diffuser (Use on #2 gas - used with 32 insulator)	54A	Gas Diffuser (Use on #3 & 4 gas)
52FN	Gas Diffuser (Use on #2 gas - used with 23 series nozzles or 34A)	55	Gas Diffuser (Use on #5 gas)
64N	Nipple (Use on #3 & 4 gas)	55SW	Gas Diffuser (Use on #5 gas)
63-45	Swan Neck 45° Bent (Use on #3 & 4 gas)	63-60	Swan Neck 60° Bent (Use on #3 & 4 gas)
63-180	Swan Neck 180° Bent (Use on #3 & 4 gas)	64A45	Swan Neck 45° Bent (Use on #3 & 4 gas)
64A60	Swan Neck 60° Bent (Use on #3 & 4 gas)	64A180	Swan Neck 180° Bent (Use on #3 & 4 gas)